



## POWER DISTRIBUTION BLOCKS

**new**



Power distribution blocks  
single pole UL



Power distribution blocks  
single pole UR



Power distribution blocks  
three-pole UR

### The solution for

- > Electrical distribution
- > Industrial control cabinets
- > Switchboards
- > Panelboards
- > PV Combiner/Re-combiner boxes



### Strong points

- > IP20 finger safe protection
- > Wide range
- > Easy integration
- > Flexibility of wiring
- > UL, UR & IEC range

### Conformity to standards

- > UL 1953  
File N° E500778
- > UL 1059  
File N° E500524



- > IEC 61439-1
- > IEC 60947-7-1



### Function

SOCOME Power distribution blocks allow easy connection of conductors to distribute power from one load into multiple smaller loads. They are installed downstream of a disconnect switch, transfer switch or circuit breaker.

### Advantages

#### IP20 finger safe protection

- IP20 rated.
- Finger-safe design provides touch safe protection from live parts.

#### Wide range

The extent of the range makes it possible to find the distribution system adapted to its needs:

- 5 single pole power distribution blocks UL,
- 4 single pole power distribution blocks UR,
- 1 multipolar power distribution blocks UR.

#### Easy integration

Compactness of the different distribution blocks allows an easier integration into the equipment and allows for either DIN rail mounting on direct panel mounting.

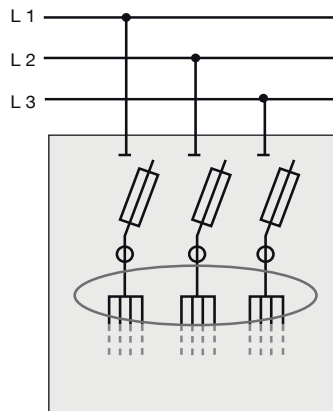
#### Flexibility of Wiring

Allows use of standard solid, stranded and fine wire strands with use of compression sleeve.

#### UL & IEC range

The range of distribution blocks comply to the UL standards & the IEC standards.

### Application





## POWER DISTRIBUTION BLOCKS

### Power distribution blocks UL / IEC

#### General characteristics



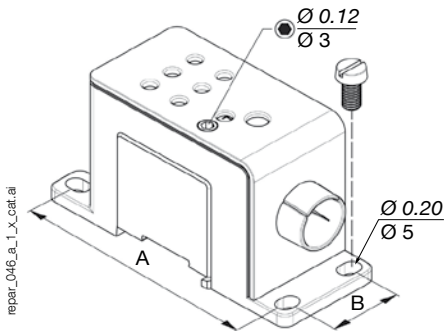
repar\_043.eps

- Material: tin plated aluminum
- Suitable conductors: aluminum or copper.
- IP20 finger-safe protection per IEC 529.
- Adjustable Dial allows for Selection of L1-L2-L3 phase designation.
- Simple and secure DIN rail locking clip allows easy mounting on DIN Rail.
- Panel mounting.
- Included connection clip allows to join multiple poles together.
- Voltage Ratings: 1000 VAC/DC UL

#### References

Type	Rating (A)				References
	UL		IEC		
	Cable Cu	Cable Al	Cable Cu	Cable Al	
Type 1	85	65	80	63	54UL <b>1008</b>
Type 2	115	90	125	100	54UL <b>1012</b>
Type 3	175	135	175	135	54UL <b>1017</b>
Type 4	255	205	250	200	54UL <b>1025</b>
Type 5	380	310	415	360	54UL <b>1040</b>

#### Dimensions (in/mm)



repar\_046\_a\_1\_x\_cat.ai

Type	Units	H x W x D	Mounting	
			A	B
Type 1	in	1.93 x 1.417 x 3.524	3.118	0.914
	mm	49 x 36 x 89.5	79.2	23.2
Type 2	in	1.93 x 1.417 x 3.524	3.118	0.914
	mm	49 x 36 x 89.5	79.2	23.2
Type 3	in	2.09 x 1.417 x 3.898	3.492	0.914
	mm	53 x 36 x 99	88.7	23.2
Type 4	in	2.39 x 2.126 x 4.488	4.063	1.622
	mm	60.7 x 54 x 114	103.7	41.2
Type 5	in	2.39 x 2.126 x 4.488	4.063	1.622
	mm	60.7 x 54 x 114	103.7	41.2

#### Connections & electrical characteristics

Type	For connection	Number of holes	Solid / stranded wired		Fine wire with sleeve		UL 1953 Voltage Max.		IEC 60947-7-1 Voltage Max.		Short circuit withstanding		
			UL connection	IEC connection	UL connection	IEC connection	AC (V)	DC (V)	AC (V)	DC (V)	I <sub>cw</sub> (kA)	I <sub>pk</sub> (kA)	SCCR (kA) <sup>(1)</sup>
Type 1	Line	1	3 - 14 AWG	2.5 - 25 mm <sup>2</sup>	3 - 14 AWG	2.5 - 25 mm <sup>2</sup>	1000	1000	1000	1500	3	35	100
	Load	6	8 - 14 AWG	2.5 - 10 mm <sup>2</sup>	10 - 14 AWG	2.5 - 6 mm <sup>2</sup>							
Type 2	Line	1	1 - 14 AWG	2.5 - 50 mm <sup>2</sup>	2 - 14 AWG	2.5 - 35 mm <sup>2</sup>					6	36.1	
	Load	6	4 - 14 AWG	2.5 - 25 mm <sup>2</sup>	6 - 14 AWG	2.5 - 16 mm <sup>2</sup>							
Type 3	Line	1	2/0 - 14 AWG	2.5 - 70 mm <sup>2</sup>	1/0 - 14 AWG	2.5 - 50 mm <sup>2</sup>					8.4	40.8	
	Load	4	4 - 14 AWG	2.5 - 25 mm <sup>2</sup>	6 - 14 AWG	2.5 - 16 mm <sup>2</sup>							
Type 4	Line	1	250 - 2 kcmil	35 - 120 mm <sup>2</sup>	4/0 - 2 AWG	35 - 95 mm <sup>2</sup>					14.4	47.7	
	Load	6	2 - 14 AWG	2.5 - 35 mm <sup>2</sup>	4 - 14 AWG	2.5 - 25 mm <sup>2</sup>							
Type 5	Line	1	500 - 2/0 kcmil	70 - 240 mm <sup>2</sup>	400 - 2/0 kcmil	70 - 185 mm <sup>2</sup>					28.8	57.2	
	Load	6	8 - 14 AWG	2.5 - 35 mm <sup>2</sup>	4 - 14 AWG	2.5 - 25 mm <sup>2</sup>							

(1) UL 100kA pending.



## POWER DISTRIBUTION BLOCKS

### Power distribution blocks UR / IEC

#### General characteristics

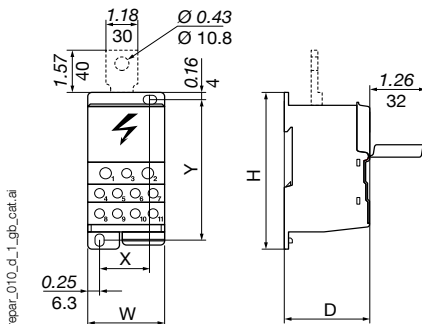


- Material: tin plated aluminum.
- Suitable conductors: aluminum or copper.
- IP20 finger-safe protection per IEC 529.
- DIN Rail mounting.
- Panel mounting.
- Voltage Ratings: 600 VAC/DC

#### References

Type	Nb poles	Rating (A)				References
		UR		IEC		
		Cable Cu	Cable Al	Cable Cu	Cable Al	
Type 1	1 P	115	90	125	100	5411 <b>1012</b>
Type 2	1 P	115	90	125	100	5411 <b>1013</b>
Type 3	1 P	175	135	175	135	5411 <b>1017</b>
Type 4	1 P	255	-	250	200	5411 <b>1025</b>
Type 5	3 P	175	135	175	135	5411 <b>3017</b>
Accessorie						References
Type 4 connection for devices						5410 <b>0025</b>

#### Dimensions (in/mm)



Type	Units	Dimensions H x W x D	Mounting	
			A	B
Type 1	in	2.91 x 1.06 x 1.81	2.44	0.157
	mm	74 x 27 x 46	62	4
Type 2	in	2.80 x 1.77 x 1.69	2.386	0.685
	mm	71 x 45 x 43	60.6	17.4
Type 3	in	2.80 x 1.77 x 1.69	2.386	0.685
	mm	71 x 45 x 43	60.6	17.4
Type 4	in	3.74 x 1.75 x 1.93	3.836	1.165
	mm	95 x 44.5 x 49	86	29.6
Type 5	in	2.8 x 3.15 x 1.93	2.382	2.07
	mm	72 x 80 x 43	60.6	52.5

Direct or cable connection distribution blocks, IP20 which can be clipped onto a symmetric DIN rail.



## POWER DISTRIBUTION BLOCKS

### Connections & electrical characteristics

Type	For connection	Number of holes	Solid / stranded wired		Fine wire with sleeve		UL 1059 Voltage Max.		IEC 60947-7-1 Voltage Max.		Short circuit withstanding													
			UL connection	IEC connection	UL connection	IEC connection	AC (V)	DC (V)	AC (V)	DC (V)	I <sub>cw</sub> (kA)	I <sub>pk</sub> (kA)												
Type 1	Line	1	2 - 8 AWG	10 - 35 mm <sup>2</sup>	2 - 8 AWG	10 - 35 mm <sup>2</sup>	600	600	1000	1500	4,2	30												
	Line	1	4 - 14 AWG	2,5 - 25 mm <sup>2</sup>	6 - 14 AWG	2,5 - 16 mm <sup>2</sup>																		
	Load	6	4 - 14 AWG	2,5 - 25 mm <sup>2</sup>	6 - 14 AWG	2,5 - 16 mm <sup>2</sup>																		
Type 2	Line	1	2 - 8 AWG	10 - 35 mm <sup>2</sup>	2 - 8 AWG	10 - 35 mm <sup>2</sup>					600	600	1000	1500	4,2	30								
	Load	10	4 - 14 AWG	2,5 - 16 mm <sup>2</sup>	6 - 14 AWG	2,5 - 10 mm <sup>2</sup>																		
Type 3	Line	1	2/0 - 8 AWG	10 - 70 mm <sup>2</sup>	1/0 - 8 AWG	10 - 50 mm <sup>2</sup>									600	600	1000	1500	11	30				
	Load	10	4 - 14 AWG	2,5 - 16 mm <sup>2</sup>	6 - 14 AWG	2,5 - 10 mm <sup>2</sup>																		
Type 4	Line	1	250 - 2 kcmil	35 - 120 mm <sup>2</sup>	4/0 - 2 AWG	35 - 95 mm <sup>2</sup>													600	600	1000	1500	21	51
	Load	2	2 - 14 AWG	2,5 - 35 mm <sup>2</sup>	4 - 14 AWG	2,5 - 25 mm <sup>2</sup>																		
	Load	5	6 - 14 AWG	2,5 - 16 mm <sup>2</sup>	6 - 14 AWG	2,5 - 16 mm <sup>2</sup>																		
	Load	4	8 - 14 AWG	2,5 - 10 mm <sup>2</sup>	8 - 14 AWG	2,5 - 10 mm <sup>2</sup>																		
Type 5	Line	1	2/0 - 8 AWG	10 - 70 mm <sup>2</sup>	1/0 - 8 AWG	10 - 50 mm <sup>2</sup>																	600	600
	Load	6	4 - 14 AWG	2,5 - 16 mm <sup>2</sup>	6 - 14 AWG	2,5 - 10 mm <sup>2</sup>																		