



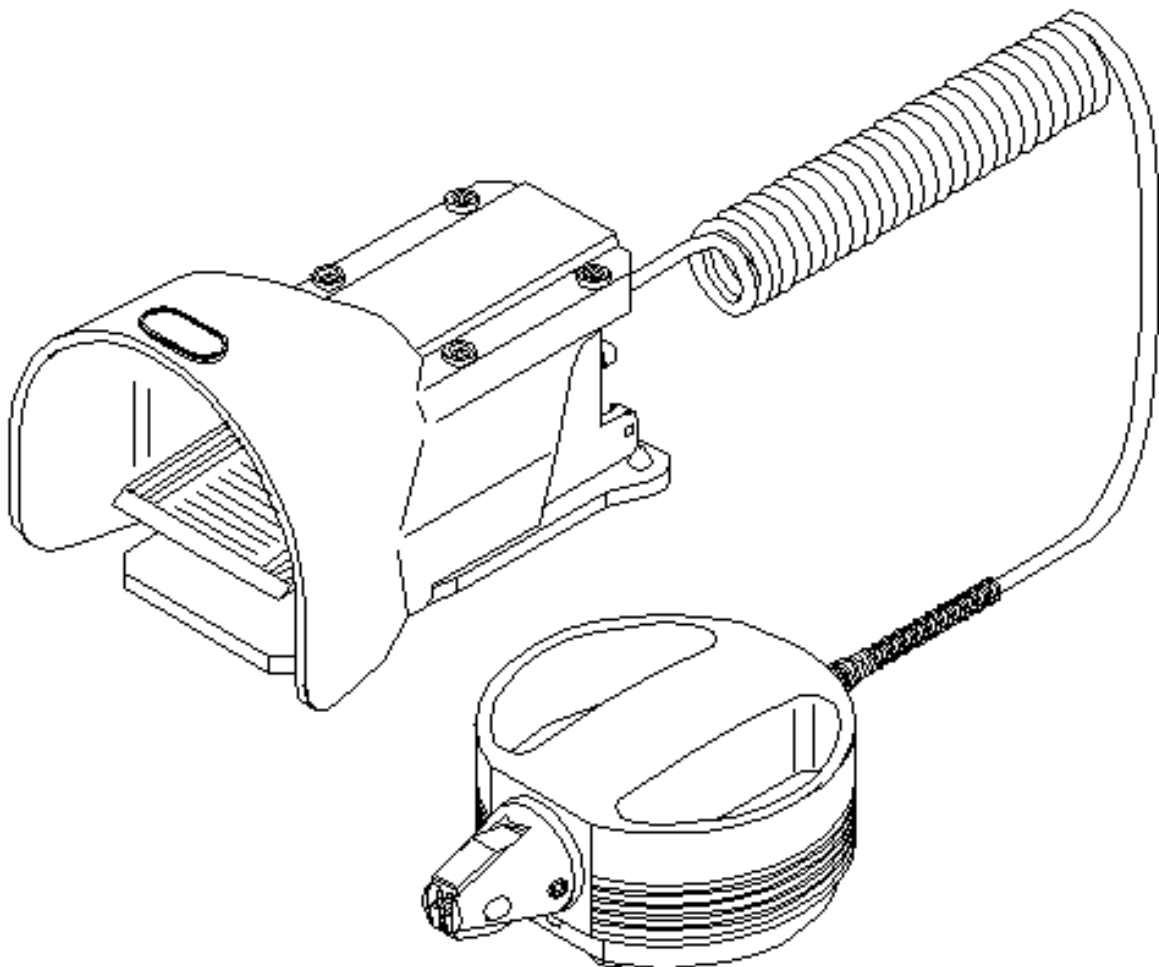
**AMERICAN  
ELECTRICAL, INC.**

---

**INDUSTRIAL ELECTRICAL ACCESSORIES**

---

## **PNEUMATIC CRIMPER**



**PC 12-8B  
OPERATING MANUAL**

CE

---

www.americanelectrical.com

**SAFETY**

BASIC INFORMATION .....1  
SYMBOLS .....1  
OPERATION OF MACHINE & POSSIBLE DANGERS .....1  
DESIGNATED USE .....2  
DANGERS .....2  
PLACES FOR USE .....2  
SAFETY DEVICES .....2  
AUTHORIZED USER .....3  
WARRANTY .....3

**DESCRIPTION**

APPLICATION .....4  
COMPONENTS .....4  
ACCESSORIES .....4

**OPERATION**

PREPERATION .....5

**MAINTENANCE**

CLEANING .....6  
LUBRICATION .....6

**SPARE PARTS .....7**

**TECHNICAL DATA .....8**

## PC 12-8B DESCRIPTION

---

### Basic Information

The basic condition for safe use and proper operation of the PC 12-8B is knowledge and attention to the safety details.

### Important for Your Safety

The following safety information must be observed by all people who will work with the PC 12-8B.

All rules and instructions in the work place must be observed.

### Symbols

This operating manual contains the following symbols:



Marks a special safety note.



Marks a special operating note.

### Operation of Machine & Possible Danger

The PC 12-8B complies with relevant safety standards and was subjected to a security check.

The PC 12-8B must be used only:

- For dedicated ferrule crimping
- In safe proper working condition

All persons commissioning, operating and maintaining the PC 12-8B must be:

- Appropriately qualified
- Consult this manual for its correct use

## PC 12-8B DESCRIPTION

---

### Designated Use

Use the PC 12-8B only for crimping of wire ferrules for stranded wires.

Wire ferrules with cross-sections or wire sized ranging from 4 to 10mm<sup>2</sup> or 12-8 AWG.

Never insert solid metal parts or similar objects. This will damage the die set.

Third party reconstruction and changes of the PC 12-8B beyond retooling are not allowed due to safety violations!

### Dangers

The PC 12-8B must only be operated with the finger guard in place.

Only use filtered compressed air with a maximum pressure of 6 bar.

Before carrying out any work (maintenance), during breaks and when the device is not in use disconnect from air source. Do **not** pull the compressed air tubing to disconnect.

### Places for Use

Avoid operation in:

- Damp or dusty locations
- Location exposed to high or low temperatures or direct sunlight (operating range: 15 °C to 35 °C).

Protect the compressed air tubing from heat, oil and sharp edges.

### Safety Devices

The PC 12-8B has a finger guard at the front as a contact safety device. Under no circumstances should this be removed.

The PC 12-8B is “off” when disconnected from the compressed air supply.

## **PC 12-8B DESCRIPTION**

---

### **Authorized User**

Only authorized and instructed users are allowed to work with the PC 12-8B.

The user has a responsibility to all people operating the PC 12-8B.

We ask our customers to:

- Make the operating manual accessible to the user
- Assure that the user has read and understood the manual

### **Warranty**

In general, our common terms of sale and delivery are valid.

Warranty is void if any of the following situations occur:

- Improper usage of the PC 12-8B
- Improper places for use
- Inappropriate use and use beyond those described in the operating manual
- Any reconstruction of the PC 12-8B
- Continued use of the PC 12-8B when faults are recognized
- Unauthorized repairs

**! Only use original spare parts.**

## PC 12-8B DESCRIPTION

---

### Application

The PC 12-8B is a pneumatic crimping tool for wire-end ferrules with a cross-section of between 0.25 and 2.5 mm<sup>2</sup>.

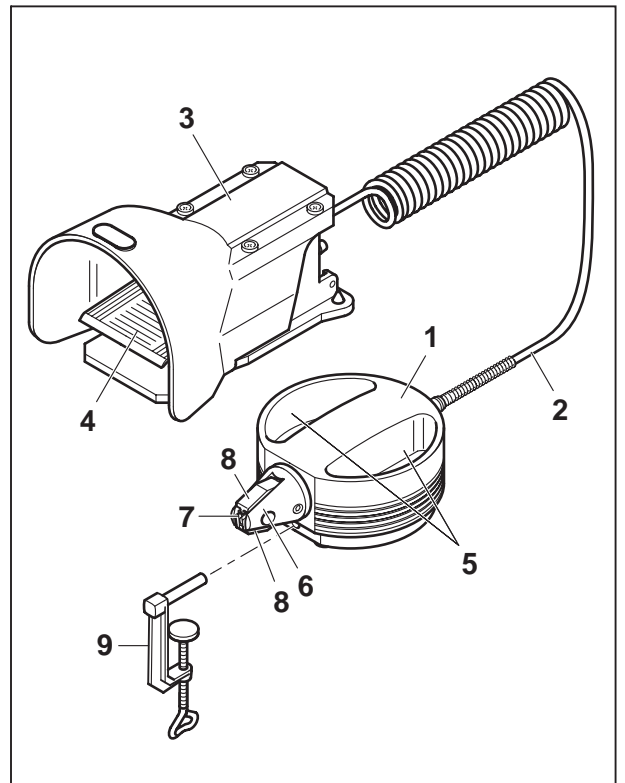
The PC 12-8B consists of a tabletop unit and a foot-operated pedal.

### Components

- 1 Tabletop unit
- 2 Compressed-air tubing
- 3 Foot-operated switch
- 4 Switch
- 5 Storage compartment for wire-end ferrules
- 6 Head
- 7. Finger guard
- 8. Die set

### Accessories

- 9 Table clamp



# PC 12-8B OPERATION

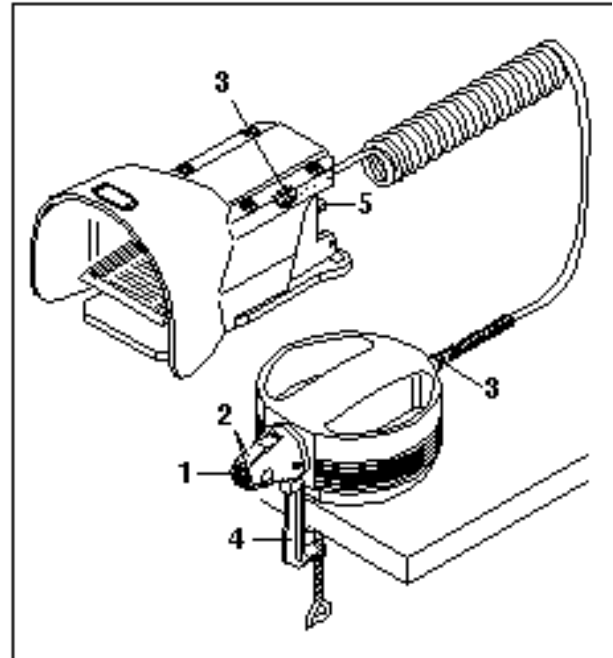
---

## Preparation

- Ensure finger guard (1) is present and attached
- Check the die set (2) for foreign objects.
- Make certain the pneumatic tubing nuts (3) are tightened firmly.
- Insert the table clamp (4) into the bore hole in the tabletop unit and screw tightly to the worktable.
- Check the compressed-air supply



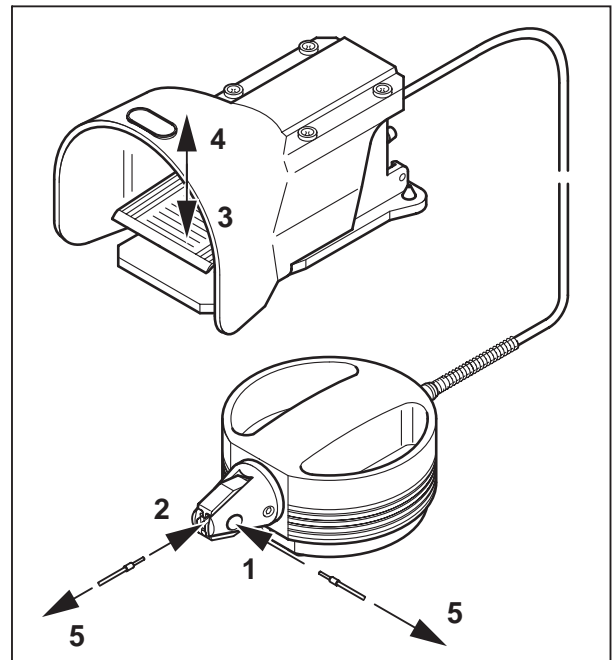
**min. 4 bar, max. 6 bar filtered air.**



- Connect the free connection (5) on the foot switch to the compressed-air supply.

## Operation

- Introduce stripped wire with wire-end ferrules already fitted, at the side (1) or from the front (2).
- Press the pedal (3), the crimping process will begin.
- Release the switch (4), the crimped wire can be removed (5).

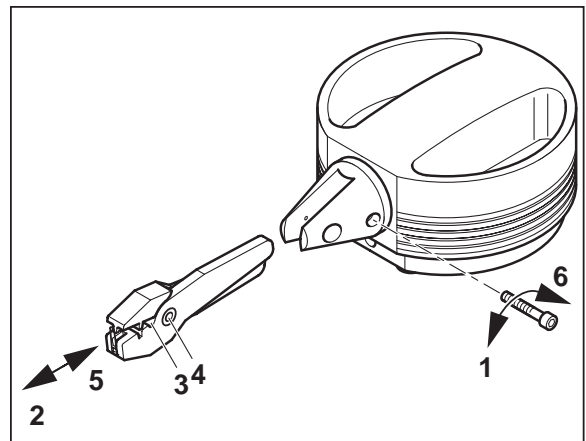


## PC 12-8B MAINTENACE

---

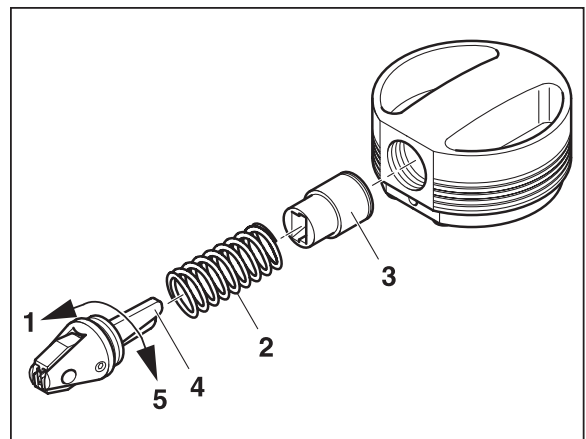
### Cleaning

- Unscrew hexagon socket screw (1).
- Pull out the die set (2).
- Clean die set (3) and lightly oil pivot (4).
- Push in die set (5).
- Tighten hexagon socket screw (6).



### Lubrication

- Unscrew the head (1).
- Remove the spring (2) and piston (3).
- Lubricate the two arms of the die set (4) (e. g. Gleitmo 746).
- Insert arms of the die set and spring.
- Insert head (5) and fasten finger tight.





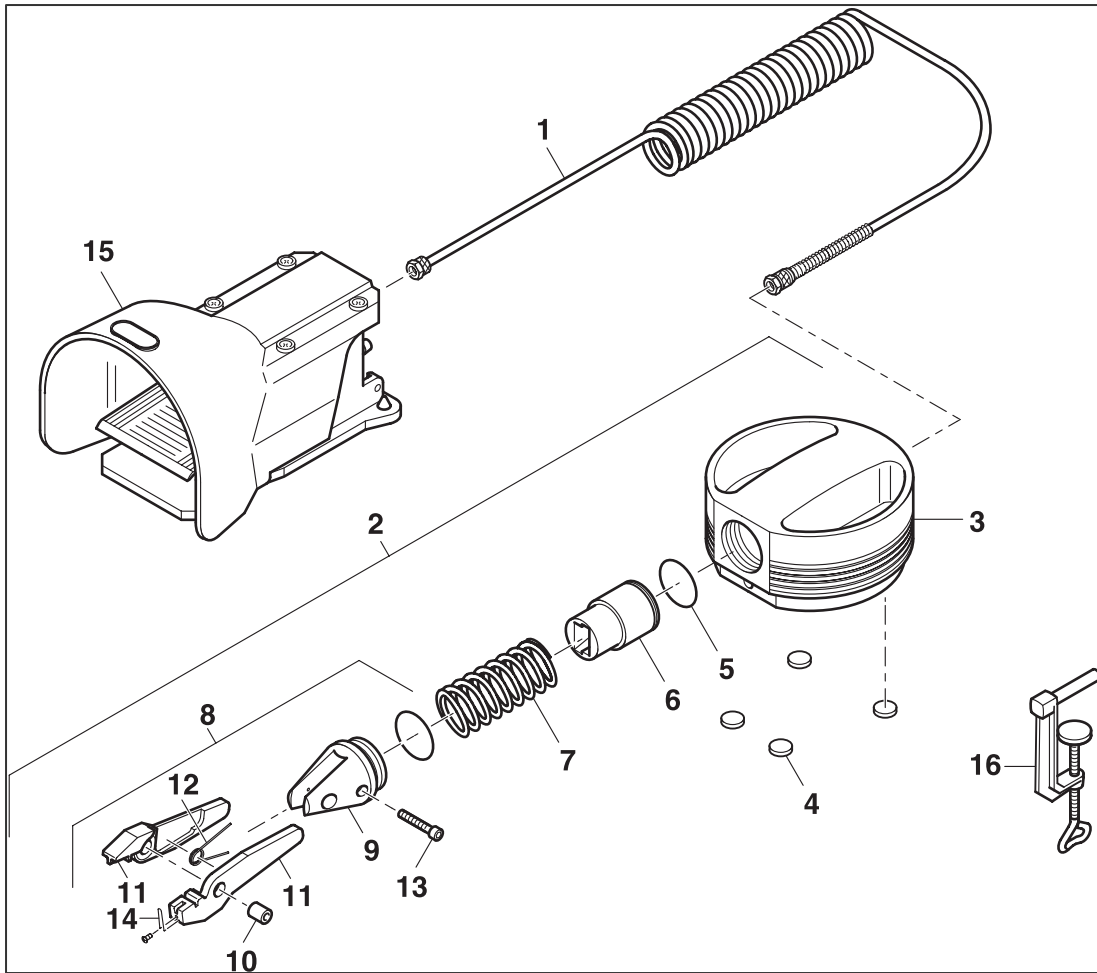
# PC 12-8B SPARE PARTS

The following spare parts can be ordered by stating the corresponding part numbers.

**Please contact American Electrical, Inc. at:**

Phone: (804) 379-2899

Fax: (804) 379-8935



No.	Part	Article No.	No.	Part	Article No.
1	Compressed-air tubing	2534	9	Head section	10005
2	Tabletop unit, complete	10060	10	Pivot pin	2503
3	Body	2531	11	Die set	10001
4	Adhesive rubber pads	2537	12	Finger spring	2502
5	Sealing ring	2520	13	Hexagon socket screw	2504
6	Piston	2507	14	Finger guard plate	10000
7	Spring	2506	15	Foot-operated switch	2536
8	Head, complete	10040	16	Table clamp	2538

# PC 12-8B

## TECHNICAL DATA

---

Instrument ..... Pneumatic Crimper  
Crimping range ..... 4 -10 mm<sup>2</sup>  
Press Form ..... Trapezoid  
Compressed-air connection ..... min. 4 bar  
..... max. 6 bar  
Air consumption ..... 0.2 l/Crimping at 5 bar  
Dimensions (diameter x length x height)..... 200 x 135 x 75 mm  
Weight..... approx. 1000 g

Designation of the  
equipment:                      Pneumatic Crimper

Machine type:                      PC 12-8B



Appropriate  
EC Directive:                      89/392/EEC

Harmonization  
standard  
used:                                  EN292-1, EN292-2 "Safety of machinery"

AMERICAN ELECTRICAL, INC.  
425 SOUTHLAKE BLVD.  
SUITE NO. 9-B  
RICHMOND, VA 23236

WWW.AMERICANELECTRICAL.COM

TELEPHONE: (804) 379-2899  
FAX: (804) 379-8935

THE COPYRIGHT FOR THIS INSTRUCTION FOR USE BY AMERICAN ELECTRICAL,  
INC.

NO PART OF THIS INSTRUCTION FOR USE MAY BE REPRODUCED, COPIED, OR  
TRANSLATED WITHOUT PERMISSION.

© 2004 AMERICAN ELECTRICAL, INC.  
RICHMOND, VA  
USA